



Luminia

Veranda

aluk.co.uk

Experts in Aluminium

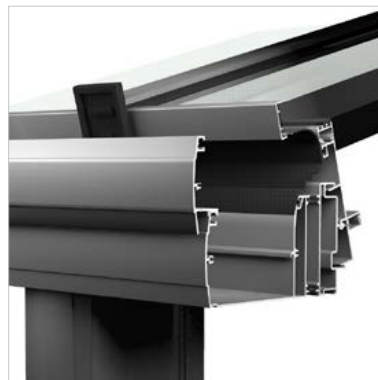
ALUK[®]

Veranda

Our customers can now enjoy longer sunshine sessions, brighter spaces and more late night fresh air while remaining sheltered and protected at all times. No longer will they have to worry about Mother Nature rudely interrupting your party or barbecue. And long gone will be the mad panic to get the outdoor furniture in before the heavens open.

DESIGN FEATURES

- › Full aluminium system
- › 3 different design options
- › Large span – up to 6m
- › Hidden water drainage and fixings
- › Optional sliding doors and walls
- › 5 stylish colours
- › Polycarbonate or glass glazing options



PREMIUM TYPE 1

- › Like all AluK designs, this Luminia system is inherently strong and near maintenance-free. The system also features thermal breaks, giving you the freedom to transform the veranda into an insulated living space.



MODERN TYPE 3

- › Our most contemporary veranda, this system boasts slimmer aesthetic lines. A perfect example of form embracing function.



ENHANCED TYPE 4

- › The most robust veranda in our range, this supersized design is ideal if you're looking for free passage and a brighter outside space. Thanks to additional steel reinforcement this system can stretch an impressive six metres in width with the support of only two posts.

*We also offer a Victorian style gutter for the type 4.

LUMINA VERANDA

Specifications	Type 1	Type 3	Type 4
Thermal breaks	Yes	No	No
Rafter width (mm)	56	56	56
Concealed drainage	Yes	Yes	Yes
Optio BSC94 integration	Yes	No	No
Luminia glass sliding door integration	No	Yes	Yes
Variable pitch	Yes	Yes	Yes
Rooflight profile	Yes	No	No
Post depth (Mm)	193	173	200
Wall plate (Mm)	210	170	170
6 Metres span with no central post	No	No	Yes

Premium insulated veranda (Type 1): NPD (no performance declared).
*Product only available on request.

AluK (GB) Limited
Newhouse Farm Ind Est
Chepstow
NP16 6UD
+44 (0)1291 639 739

AluK Design Studio
5-11 Worship Street
London EC2A 2BH

aluk.co.uk